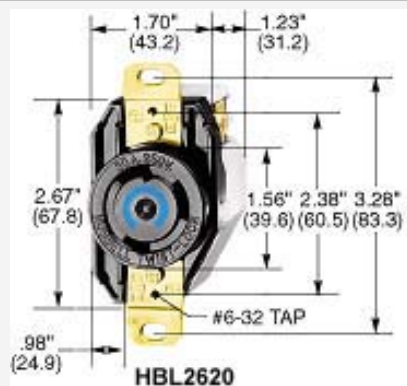



HBL2610 -- Twist-Lock Receptacle

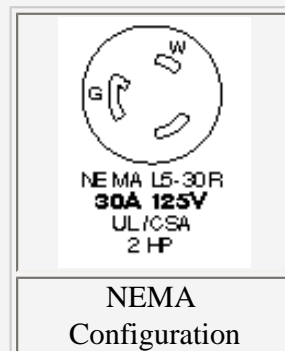


2P3W, 30A 125V, L5-30R, Black Nylon Face

Product Specifications

Product Type	 <p style="text-align: center;">Twist-Lock Devices</p>
Product Item	Single Receptacle
Wiring Scheme	2 Pole, 3 Wire Grounding
Amperage	30A
Voltage	125V AC
NEMA Configuration	L5-30R
Item Style	Standard
Device Color	Black
Horsepower	2
Terminal Clamp Material	.040" (1.0) Brass
Terminal Screw Material	#10-32 Bronze (White finish on neutral screw when used)
Ground Screw Material	#10-32 Bronze (Green)
Contact Spring Material	.040" Brass

Mounting Screw Material	Steel-zinc-plated
Cover (Top) Material	Black Nylon
Base Material	Nylon Polyester
Ground Contact Material	.040" Brass
Bridge (Mounting Strap) Material	.050" Brass
Back Plate Material	.040" Brass
Rivet Material	Brass
Auto Ground Clip Material	Stainless Steel
Ratings	Molded into face.
Dielectric Voltage Withstand	2,000V minimum
Current Interrupting	Certified for current interrupting at full rated current
Temperature Rise	Max 30 deg. temperature rise at full rated current after 50 cycles of overload at 150% of rated current at a power factor of .75
Terminal Accommodation	30A-#10AWG
Terminal Identification	Terminals identified in accordance with UL 498 (X, Y, Z, White, Green)
Flammability	HB or better per UL 94 or CSA 22.2 No. 0.6
Operating Temperatures	Maximum Continuous 75 C Minimum -40 C (w/o impact)
Listings	FED SPEC UL/CSA
Catalog Page	Click here for catalog page B27
Brochures	Click here for product brochure
Hubbellnet	Click here for Hubbellnet
Catalog Section	Click here for Section-B
UPC Number	78358523592
Weight in LBs	0.3



TWIST-LOCK® Devices

2 Pole, 3 Wire Grounding

30 Ampere, 125, 250 Volts and 277 Volts AC

Receptacles, INSULGRIP® Connector Bodies, Flanged Devices and Plugs



NEMA L5-30R
30A 125V
UL/CSA
2 HP



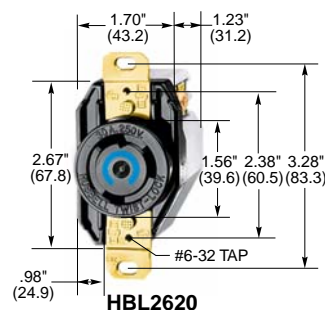
NEMA L6-30R
30A 250V
UL/CSA
2 HP



NEMA L7-30R
30A 277V AC
UL/CSA
3 HP

Single Flush Receptacles, Back and Side Wired

Description	Catalog Numbers		
Black nylon face.	HBL2610	HBL2620	HBL2630
Isolated ground, orange nylon face.	IG2610	IG2620	-
Corrosion resistant, yellow nylon face.	HBL26CM10		-



Insulgrip Connector Bodies IP20 SUITABILITY

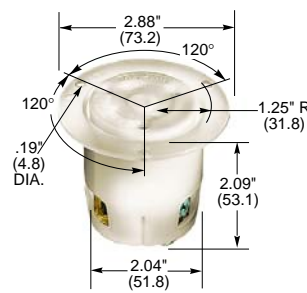
Description	Catalog Numbers		
Black and white nylon.	HBL2613	HBL2623	HBL2633
Heat stabilized, gray nylon, 220° F (104° C).	HBL2613F	HBL2623F	-
Corrosion resistant, yellow nylon.	HBL26CM13	HBL26CM23	-

Note: Cord clamp range .360"-.930" (9-24).



Insulgrip Flanged Receptacles

Description	Catalog Numbers		
Nylon casing, back wired.	HBL2616	HBL2626	HBL2636
Heat stabilized, gray nylon, 220° F (104° C).	HBL2616F	HBL2626F	-



Insulgrip Plugs IP20 SUITABILITY

Description	Catalog Numbers		
Black and white nylon.	HBL2611	HBL2621	HBL2631
Heat stabilized, gray nylon, 220° F (104° C).	HBL2611F	HBL2621F	-
Corrosion resistant, yellow nylon.	HBL26CM11	HBL26CM21	-

Notes: Cord clamp range .360"-.930" (9-24).

See page B-73 for Add-A-Shroud™ kit.



Insulgrip Flanged Inlets

Description	Catalog Numbers		
Nylon casing, back wired.	HBL2615	HBL2625	HBL2635
Heat stabilized, gray nylon, 220° F (104° C).	HBL2615F	HBL2625F	-

Notes: All HP ratings are AC only. Only receptacles and plugs are HP rated.

For technical information see page B-83.

For accessories see pages B-68 and B-69.

See page B-63 for switched enclosure.

